

Features

- Compact design
- Precision guided stem
- Burnished stem
- Tapered seat ring
- 2 screwed seatrings
- Reducible kvs-values
- Rangeability 30 : 1
- Post guided plug
- EPDM sealing
- Travel indicator

Applications

Fig.453

- Cooling water
- Cooling brine
- Warm water
- Steam
- Gas

Actuator data		2,2 - 5 kN	12 - 15 kN
A	mm	171	210
B	mm	156	184
C	mm	50	97
Ø D1	mm	90	130
X	mm	150	200

Supply voltage: 230V 50Hz
 Other voltages: 24V 50/60Hz; 115V 50/60Hz; 230V 60Hz
 Technical data for actuator refer to data sheet ARI-PREMIO/PREMIO-Plus 2G

Heights and weights

DN		25	32	40	50	65	80	100	
Fig. 453	2,2 kN	H (mm)	568	594	600	598	--	--	--
		PN40 (kg)	14	18	22	25	--	--	--
	5 kN	H (mm)	568	594	600	598	634	650	669
		PN40 (kg)	15	19	22	25	34	45	63
	12 kN	H (mm)	718	744	750	748	784	800	819
		PN40 (kg)	20	23	27	30	39	49	68
	15 kN	H (mm)	--	--	--	--	784	800	819
		PN40 (kg)	--	--	--	--	39	49	68

DN		25					32				40				50					
Straight through	Kvs-value	(m3/h)	1	1,6	2,5	4	6,3	2,5	4	6,3	10	4	6,3	10	16	6,3	10	16	25	
	Seat-Ø A	(mm)	27					27				31				27				
Bypass	Kvs-value	(m3/h)	0,1	0,16	0,25	0,40	0,63	0,25	0,4	0,63	1,0	0,4	0,63	1,0	1,6	0,63	1,0	1,6	2'5	
	Seat-Ø B	(mm)	8					8				8				13				
max. differential pressure ¹⁾		(bar)	40					40				40				40				
Travel		(mm)	20					20				20				20				
2,2 kN	Closing pressure I.	(bar)	15,4					15,4				11,6				15,4				
	Operating time (50 Hz)	(s)	53					53				53				53				
	Operating speed	(mm/s)	0,38																	
5 kN	Closing pressure I.	(bar)	38,5					38,5				29,2				38,5				
	Operating time (50 Hz)	(s)	53					53				53				53				
	Operating speed	(mm/s)	0,3																	
12 kN	Closing pressure I.	(bar)	40					40				40				40				
	Operating time (50 Hz)	(s)	53					53				53				53				
	Operating speed	(mm/s)	0,38																	

DN		65				80				100				
Straight through	Kvs-value	(m3/h)	10	16	25	40	16	25	40	63	25	40	63	100
	Seat-Ø A	(mm)	41	41	51	66	41	51	66	81	51	66	81	101
Bypass	Kvs-value	(m3/h)	1,0	1,6	2,5	4	1,6	2,5	4,0	6,3	2,5	4,0	6,3	10
	Seat-Ø B	(mm)	25				25				25			
max. differential pressure ¹⁾		(bar)	40				40				40			
Travel		(mm)	30				30				30			
5 kN	Closing pressure I.	(bar)	16,5	16,5	10,5	6,2	16,5	10,5	6,2	4	10,5	6,2	4	2,5
	Operating time (50 Hz)	(s)	79				79				79			
	Operating speed	(mm/s)	0,38											
12 kN	Closing pressure I.	(bar)	40	40	27,1	16,1	40	27,1	16,1	10,6	27,1	16,1	10,6	6,8
	Operating time (50 Hz)	(s)	79				79				79			
	Operating speed	(mm/s)	0,38											
15 kN	Closing pressure I.	(bar)	40	40	34,3	20,4	40	34,3	20,4	13,4	34,3	20,4	13,4	8,6
	Operating time (50 Hz)	(s)	79				79				79			
	Operating speed	(mm/s)	0,38											

*last updated 10/16

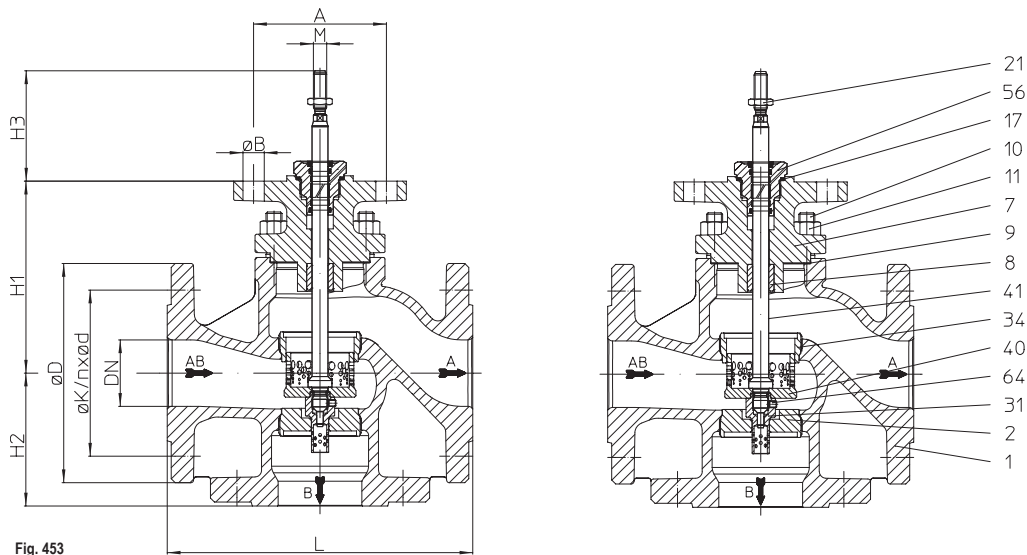


Fig. 453

DN	25	32	40	50	65	80	100
----	----	----	----	----	----	----	-----

Dimensions			M10				M14 x 1,5		
M	Fig. 453	(mm)							
H1	Fig. 453	(mm)	115	141	147	154	181	197	216
H2	Fig. 453	(mm)	75	80	90	100	120	130	150
H3	Fig. 453	(mm)	83						
A	Fig. 453	(mm)	100						
ØB	Fig. 453	(mm)	2 x Ø 16						

Face-to-face dimension FTF series 1 according to DIN EN 558								
L	(mm)	160	180	200	230	290	310	350

Flanges acc. to DIN EN 1092-1/-2									
ØD	PN40	(mm)	115	140	150	165	185	200	235
ØK	PN40	(mm)	85	100	110	125	145	160	190
n x Ød	PN40	(mm)	4 x 14	4 x 18	4 x 18	4 x 18	8 x 18	8 x 18	8 x 22

Weights									
Fig. 453	PN40	(kg)	9	13	16	19	28	39	57

max. perm. closing forces								
Fig. 453	(kN)	12,7					29,5	

Pos.	Ers.	Description	Fig. 35.453
1		Body	GP240GH+N, 1.0619+N
2	x	Seat ring	X20Cr13+QT, 1.4021+QT (hardened)
7		Mounting bonnet	GP240GH+N, 1.0619+N
8		Guide bushing	X20Cr13+QT, 1.4021+QT (hardened)
9	x	Gasket	Pure graphite (CrNi laminated with graphite)
10		Studs	25CrMo4, 1.7218
11		Hexagon nuts	C35E, 1.1181
17	x	Sealing ring	Cu / Soft iron
21		Hexagon nuts	17H-A2G
31	x	Plug	X20Cr13+QT, 1.4021+QT
34	x	Seat ring	X20Cr13+QT, 1.4021+QT (hardened)
40	x	Plug	X20Cr13+QT, 1.4021+QT
41	x	Stem	X20Cr13+QT, 1.4021+QT
64		Grub screw	A2
45.1	Set: ref. Pos. 120	Stem guiding	X8CrNiS18-9, 1.4305 / EPDM
45.2		O ring	EPDM
45.3		Lubricating	Syntheso GLEP 1
45.4		Guide bush	PTFE25%C

Stem sealing Fig. 453			
120	x	EPDM sealing	EPDM / X20Cr13+QT, 1.4021+QT
		L Spare parts	Set of: Pos. 45.1, 45.2, 45.3, 45.4

*last updated 10/16

